



## Product Description:

A pyrotechnic igniter drives a piston, which separates the electrical conductor and thus galvanically interrupts the current flow.

- **Current carrying capability 350A at 85°C**
- **Suitable for voltage levels up to 500VDC**
- **Max current breaking capability up to 15kA**
- **Max. inductive switching capacity 50μH**
- **Non-reversible device; for galvanic disconnection**

\* Each parameter must be considered independently.  
Maximum values combination of all parameters is not applicable.

## Contact Data

Rated voltage 500V  
Load current and cut off bi-directional

## Busbar (Current Bar)

Contact raw-material: Copper

Busbar profiles:

- A) Cross-section nominal 60 mm<sup>2</sup>
- B) (on request) xx mm<sup>2</sup>

## Operation Time

Release time < 2 ms (@1.75A)  
1.0ms @ 500V / 15000A / 10μH (@1.75A)  
0.8ms @ 600V / 500A / 50μH (@1.75A)

## Other Data

IP Class IP52  
Vibration resistance acc. to LV 124  
Mech. Shock resistance acc. to LV 124  
Temperature cycle resistance acc. to LV 124  
High Temp. Endurance acc. to LV 124  
Corrosion Resistance acc. to LV 124  
Chemical loads resistance acc. to LV 124

## Terminal type:

on busbar M6 screw  
interface VDA-AK 2 unsealed / sealed  
interface according to ISO 19072

**Weight:** 190 gr.

## Typical Applications:

Battery disconnect to prevent fire caused by short circuits or electrical shock during/after an accident.

## Resistance & Insulation Data

Busbar resistance (at 23°C)  
before ops. < 50 μΩ  
after ops. > 10 MΩ

## Temperature Range

Surface temperature max. +120°C  
Environmental temperature -40°C/ +85°C  
Storage temperature -40°C/ +85°C  
Self-ignition ≥ 290°C

## Initiator Data

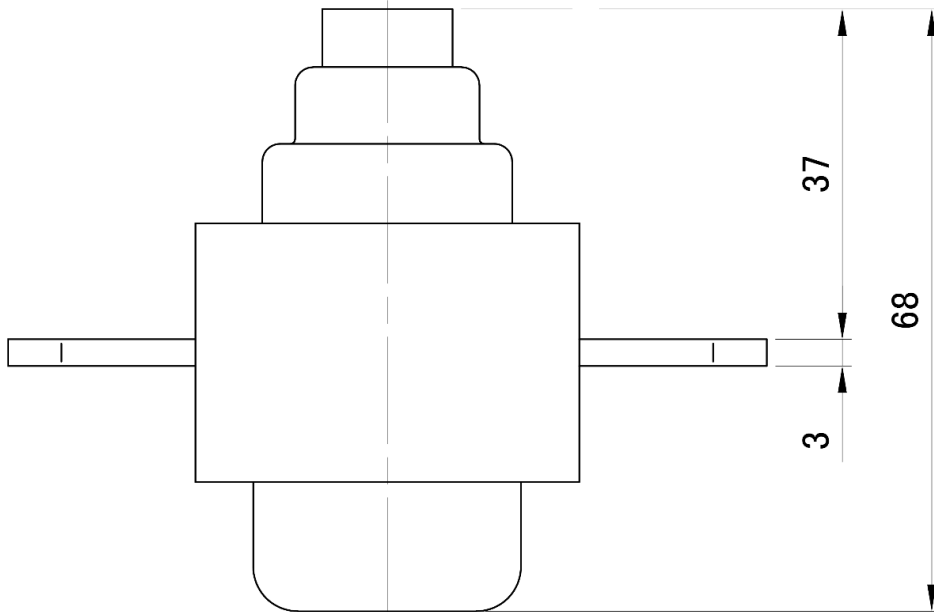
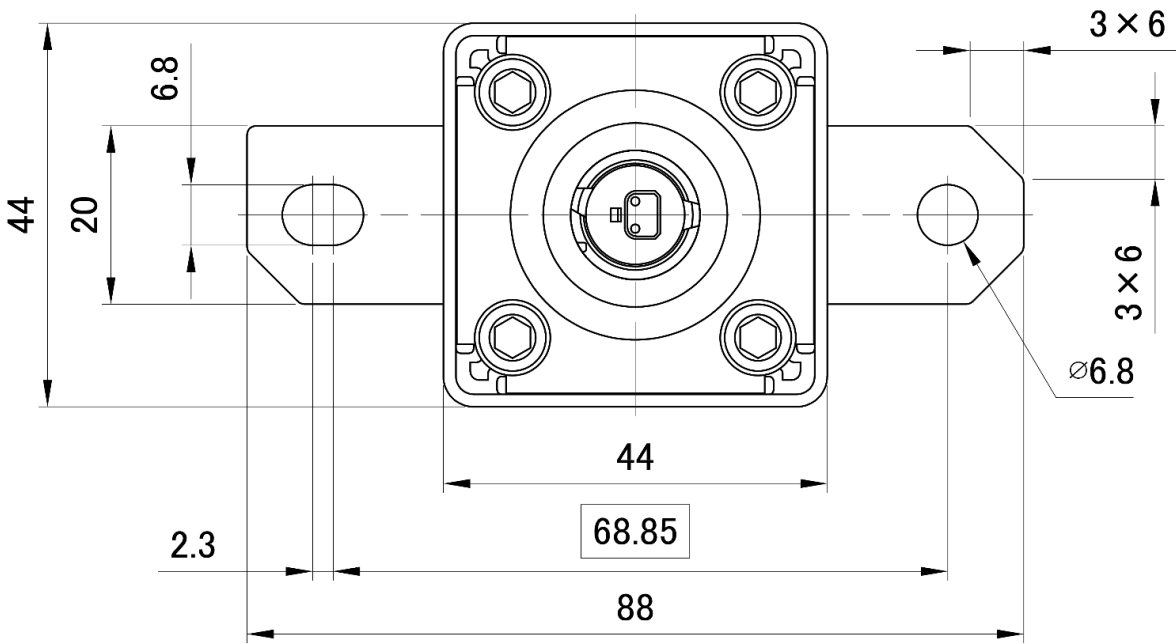
Qualified by AK-LV 16 & USCAR  
Initiator resistance ≥1.7 Ω and ≤2.5 Ω  
Initiator resistance after triggering ≥100 Ω  
All-fire current ≥1.75 A / 0.5 ms  
or ≥1.20 A / 2.0 ms  
No-fire current ≤0.4 A  
or ≤5.0 A / ≤4 μs  
Monitor current: ≤160 mA

## Qualification & Logistic

Excluded from Transport Classification 1  
Classified as “no dangerous Goods”  
CE conformity certified in progress  
DOT conformity Certification



## Product Characteristics



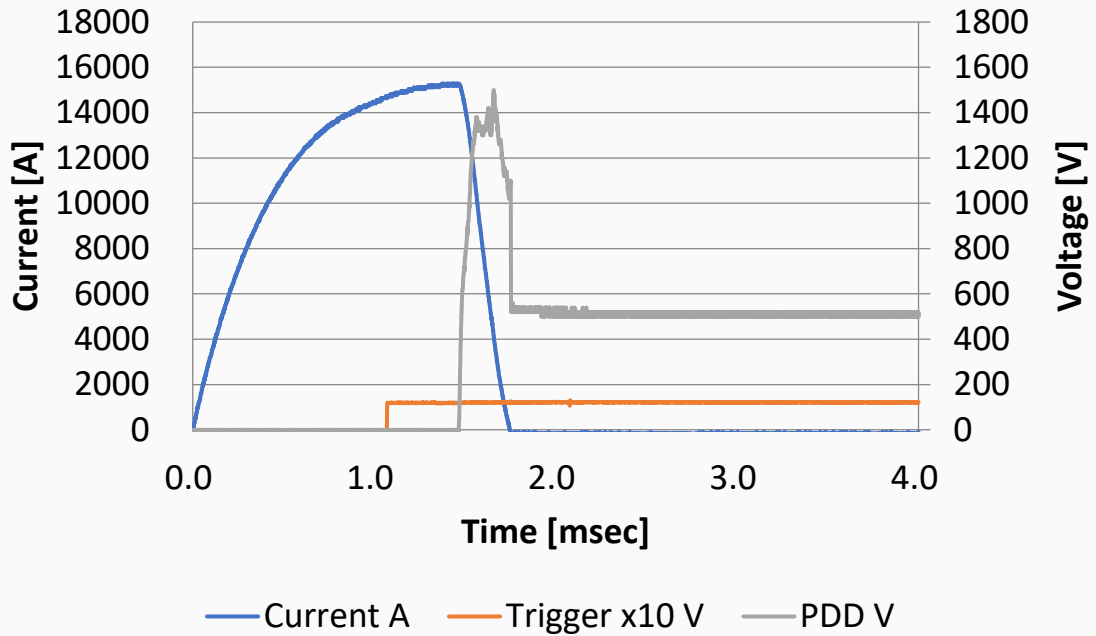
The entire contents of this publication are copyrighted by Daicel. It is forbidden to duplicate or alter this document, or to use its content for another purpose, without the express permission of Daicel.



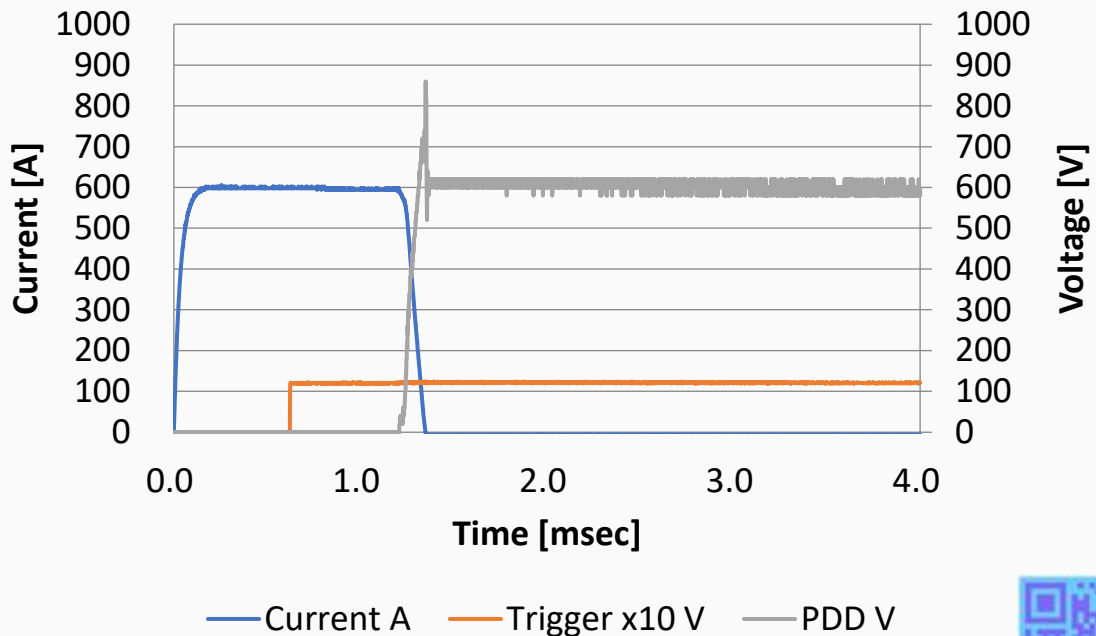
## Performance Characteristics : PDD 5.0



### 500V / 15000A / 10 $\mu$ H



### 600V / 500A / 50 $\mu$ H



The entire contents of this publication are copyrighted by Daicel. It is forbidden to duplicate or alter this document, or to use its content for another purpose, without the express permission of Daicel.

