

Power Disconnect Device – PDD 6



Product Description:

A pyrotechnic igniter drives a piston, which separates the electrical conductor and thus galvanically interrupts the current flow.

- **Current carrying capability 350A at 85°C**
- **Suitable for voltage levels up to 915VDC**
- **Max current breaking capability up to 25kA**
- **Max. inductive switching capacity 10μH**
- **Non-reversible device; for galvanic disconnection**

* Each parameter must be considered independently.
Maximum values combination of all parameters is not applicable.

Contact Data

Rated voltage 915V
Load current and cut off bi-directional

Busbar (Current Bar)

Contact raw-material: Copper

Busbar profiles:

- A) Cross-section nominal 66 mm²
- B) (on request) xx mm²

Operation Time

Release time < 2 ms (@1.75A)
0.9ms @ 915V / 25000A / 10μH (@6A)

Other Data

IP Class IP52
Vibration resistance acc. to LV 124
Mech. Shock resistance acc. to LV 124
Temperature cycle resistance acc. to LV 124
High Temp. Endurance acc. to LV 124
Corrosion Resistance acc. to LV 124
Chemical loads resistance acc. to LV 124

Terminal type:

on busbar M6 screw
interface VDA-AK 2 unsealed / sealed
interface according to ISO 19072

Weight: 510 gr.

Typical Applications:

Battery disconnect to prevent fire caused by short circuits or electrical shock during/after an accident.

Resistance & Insulation Data

Busbar resistance (at 23°C)
before ops. < 50 μΩ
after ops. > 10 MΩ

Temperature Range

Surface temperature max. +125°C
Environmental temperature -40°C/ +85°C
Storage temperature -40°C/ +85°C
Self-ignition ≥ 290°C

Initiator Data

Qualified by AK-LV 16 & USCAR
Initiator resistance ≥1.7 Ω and ≤2.5 Ω
Initiator resistance after triggering ≥100 Ω
All-fire current ≥1.75 A / 0.5 ms
or ≥1.20 A / 2.0 ms
No-fire current ≤0.4 A
or ≤5.0 A / ≤4 μs
Monitor current: ≤160 mA

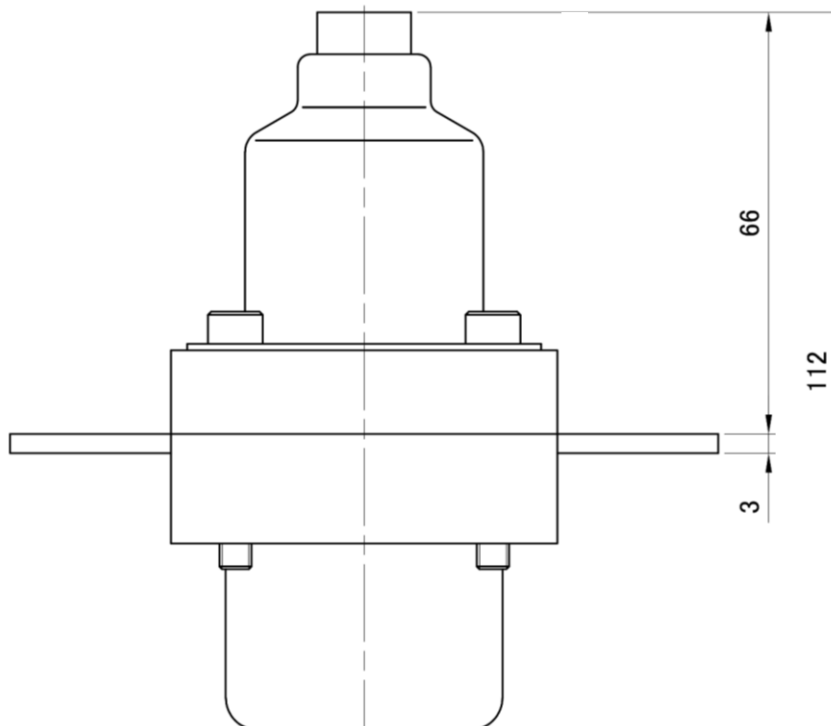
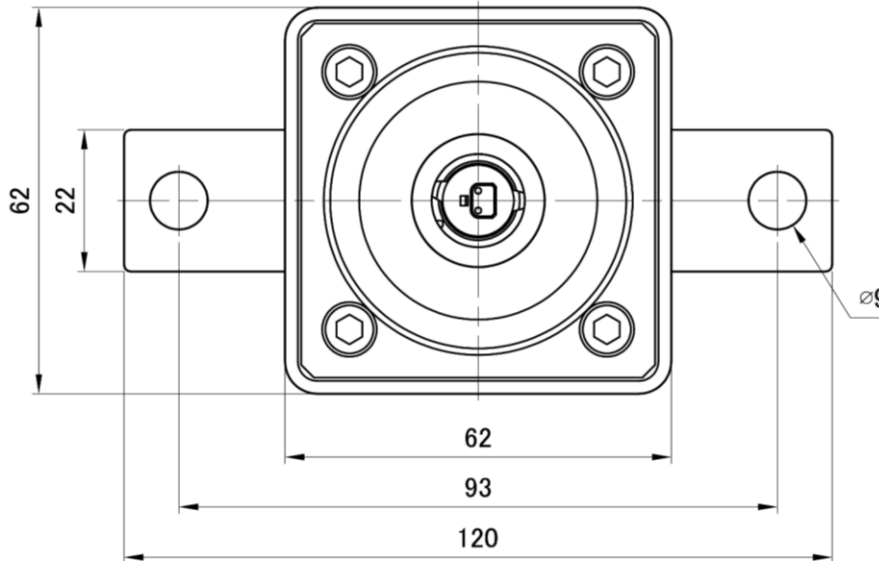
Qualification & Logistic

Excluded from Transport Classification 1
Classified as “no dangerous Goods”
CE conformity certified in progress
DOT conformity Certification





Product Characteristics



The entire contents of this publication are copyrighted by Daicel. It is forbidden to duplicate or alter this document, or to use its content for another purpose, without the express permission of Daicel.



Performance Characteristics : PDD 6



915VDC / 25000A / 10 μ H

